

Installation Instructions - Plexineon Catenary Static Color

Models: Plexineon Fixture Catenary Mount Static Color and Plexineon Rings Catenary Mount Static Color

Please read all instructions prior to installation and keep for future reference!

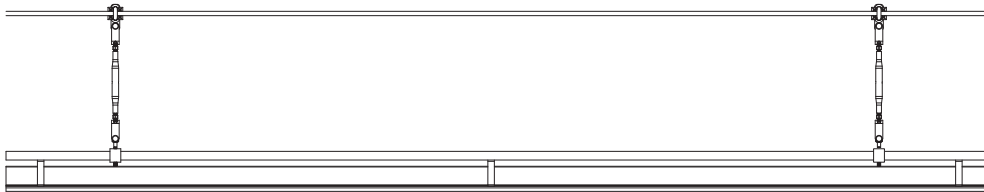
1. PRODUCT TO BE INSTALLED BY A QUALIFIED ELECTRICIAN.
2. USE ONLY WITH CLASS 2 POWER UNIT
3. 24 VOLTS DC
4. SUITABLE FOR WET LOCATIONS
5. CATENARY MOUNT ONLY



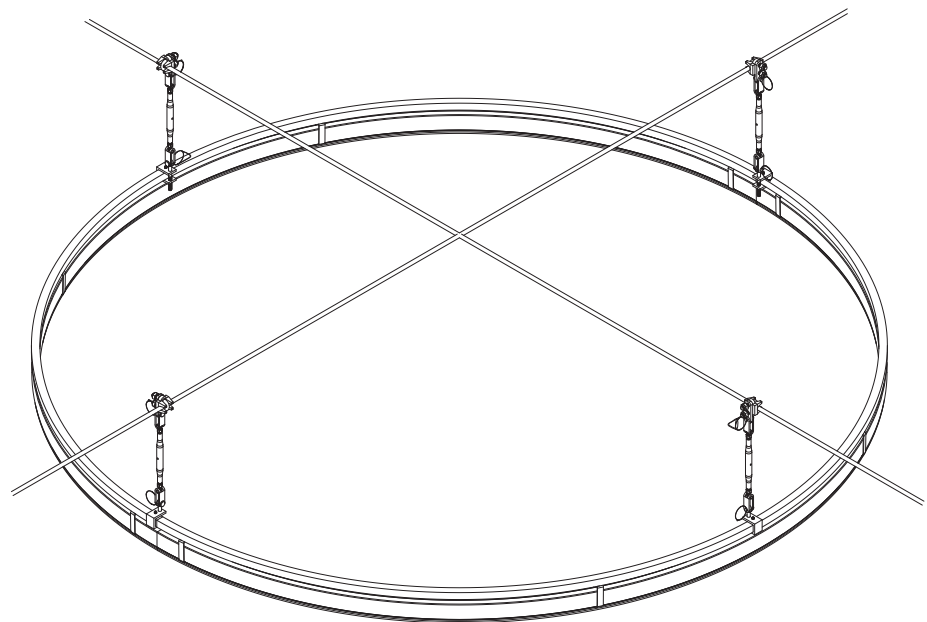
REVO.2
05232024

1 / 5

ilight
by luminii
7777 Merrimac Ave
Niles, IL 60714
T 224.333.6033
F 224.757.7557
info@luminii.com
www.luminii.com



Plexineon Straight Run Fixture Catenary Mount



Plexineon Ring Catenary Mount

Installation Instructions - Plexineon Catenary Static Color

Models: Plexineon Fixture Catenary Mount Static Color and Plexineon Rings Catenary Mount Static Color

Please read all instructions prior to installation and keep for future reference!

1. PRODUCT TO BE INSTALLED BY A QUALIFIED ELECTRICIAN.
2. USE ONLY WITH CLASS 2 POWER UNIT
3. 24 VOLTS DC
4. SUITABLE FOR WET LOCATIONS
5. CATENARY MOUNT ONLY



REVO.2
05232024

2 / 5

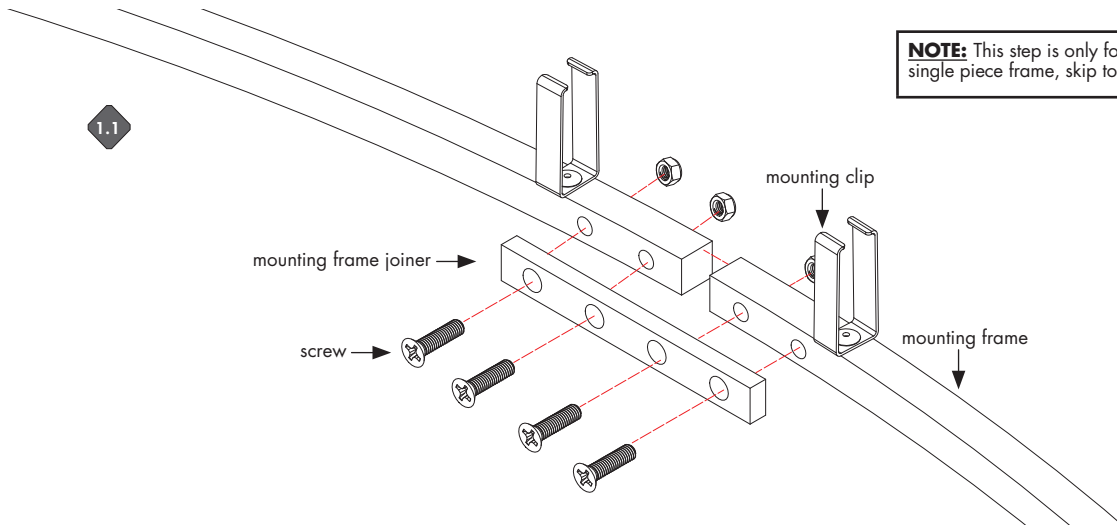
ilight
by luminii
7777 Merrimac Ave
Niles, IL 60714
T 224.333.6033
F 224.757.7557
info@luminii.com
www.luminii.com

1

NOTE: Prior to installation all 24VDC wires must be present within 72" of the installation. Refer to the power supply installation instruction for additional information.

NOTE: More than one person is recommended for this installation.

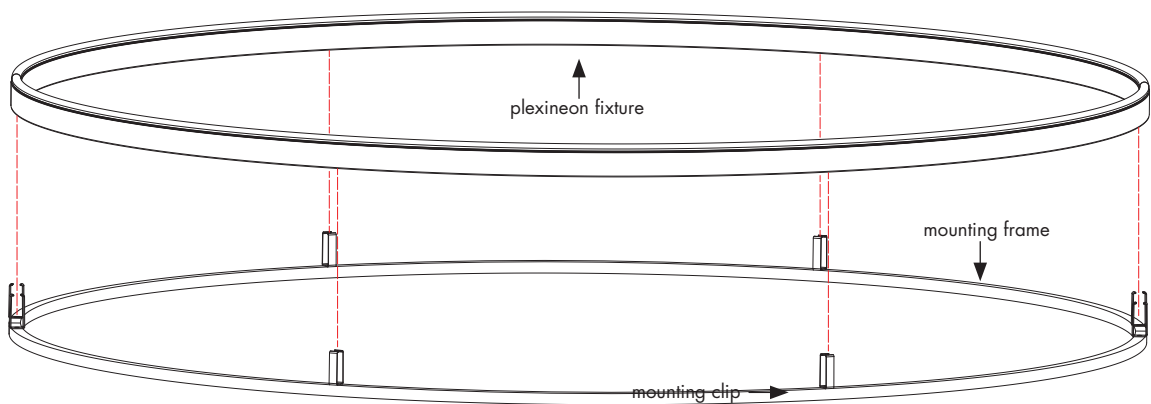
NOTE: This step is only for multi-piece frames. If you have single piece frame, skip to step 2.1.



1.1 For multi-piece frames, connect the frame members together with mounting frame joiner. Use locknuts to secure connection.

2

2.1



2.1 Install plexineon fixture to mounting clips on mounting frame(s).

Installation Instructions - Plexineon Catenary Static Color

Models: Plexineon Fixture Catenary Mount Static Color and Plexineon Rings Catenary Mount Static Color

Please read all instructions prior to installation and keep for future reference!

1. PRODUCT TO BE INSTALLED BY A QUALIFIED ELECTRICIAN.
2. USE ONLY WITH CLASS 2 POWER UNIT
3. 24 VOLTS DC
4. SUITABLE FOR WET LOCATIONS
5. CATENARY MOUNT ONLY



REVO.2
05232024

3 / 5

ilight
by luminii
7777 Merrimac Ave
Niles, IL 60714
T 224.333.6033
F 224.757.7557
info@luminii.com
www.luminii.com

Install Fixtures into Mounting Clips

A.1 Make an U shape with mounting clip installation tool, insert two edges into mounting clip. Place plexineon fixture inside the shape. Then push the fixture into clip.

A.2 Remove the tool. Make sure mounting clip is clipped right on the grip.

3

3.1 Unscrew and remove uchain from turnbuckle.

3.2 Calculate points for turnbuckles on mounting frame. Set uchain to measured place.

3.3 Screw bolt back into uchain to lock the turnbuckle with mounting frame, securing the position by set screw.

Installation Instructions - Plexineon Catenary Static Color

Models: Plexineon Fixture Catenary Mount Static Color and Plexineon Rings Catenary Mount Static Color

Please read all instructions prior to installation and keep for future reference!

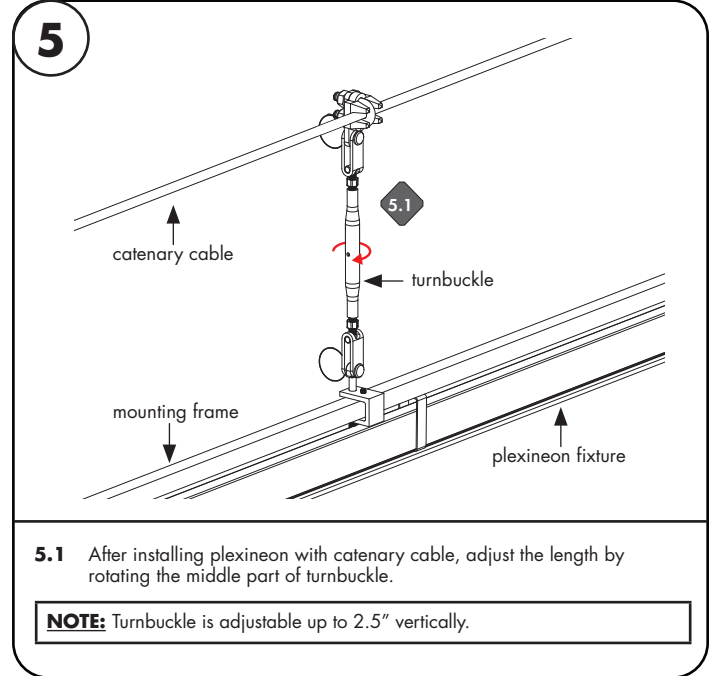
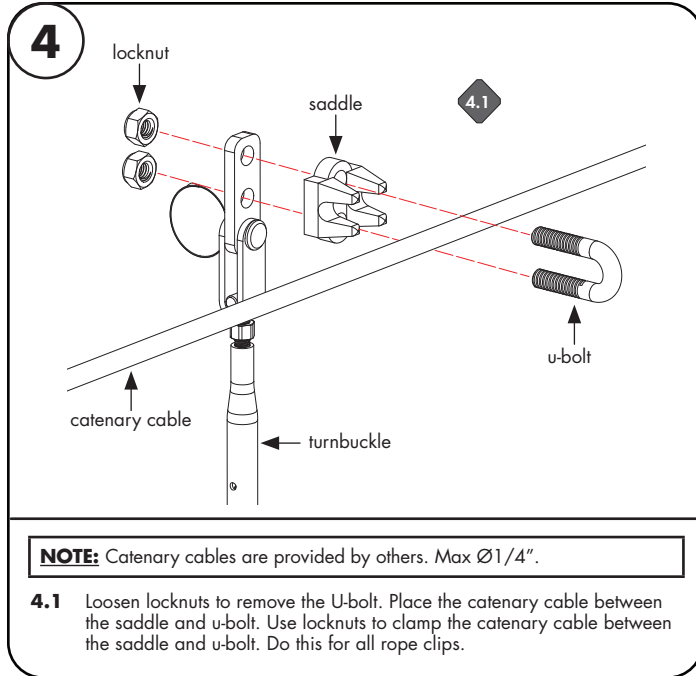
1. PRODUCT TO BE INSTALLED BY A QUALIFIED ELECTRICIAN.
2. USE ONLY WITH CLASS 2 POWER UNIT
3. 24 VOLTS DC
4. SUITABLE FOR WET LOCATIONS
5. CATENARY MOUNT ONLY



REVO.2
05232024

4 / 5

ilight
by luminii
7777 Merrimac Ave
Niles, IL 60714
T 224.333.6033
F 224.757.7557
info@luminii.com
www.luminii.com



Installation Instructions - Plexineon Catenary Static Color

Models: Plexineon Fixture Catenary Mount Static Color and Plexineon Rings Catenary Mount Static Color

Please read all instructions prior to installation and keep for future reference!

1. PRODUCT TO BE INSTALLED BY A QUALIFIED ELECTRICIAN.
2. USE ONLY WITH CLASS 2 POWER UNIT
3. 24 VOLTS DC
4. SUITABLE FOR WET LOCATIONS
5. CATENARY MOUNT ONLY



REVO.2
05232024

5 / 5

ilight
by luminii
7777 Merrimac Ave
Niles, IL 60714
T 224.333.6033
F 224.757.7557
info@luminii.com
www.luminii.com

